

# Quotation

RED VEST SUPPLY  
 1656 Lynnbrook Ct.  
 Orient, OH 43146  
 Phone (740) 357-7371



**DATE** 9/24/2024  
**Quotation #** 0608-DCR2500000020-1  
**Customer ID** WVGW

**Quotation For:**  
 STATE OF WEST VIRGINIA

*Quotation valid until:* 3/25/2025

**Comments or Special Instructions:** None

| SALESPERSON | P.O. NUMBER | LEAD TIME | SHIP VIA | F.O.B. POINT | TERMS       |
|-------------|-------------|-----------|----------|--------------|-------------|
| NIKKI       | QUOTE       | 4-6 WEEKS |          |              | NET 30 DAYS |

| QUANTITY | DESCRIPTION  | UNIT PRICE   | TAXABLE? | AMOUNT       |
|----------|--|--------------|----------|--------------|
| 1        | 2024 GENIE GS 1930- E-Drive -110V-<br>Electric Scissor Lift- New<br>SKU# GS-1930<br>•All matching specs are included in<br>attached spec sheet & are highlighted<br>yellow.<br>•PLEASE NOTE: Dual wheel multi disc<br>brake option not included. | \$ 18,473.55 | N        | \$ 18,473.55 |

|              |                     |
|--------------|---------------------|
| SUBTOTAL     | \$ 18,473.55        |
| TAX RATE     | 7.25%               |
| SALES TAX    | \$ -                |
| OTHER        | -                   |
| <b>TOTAL</b> | <b>\$ 18,473.55</b> |

If you have any questions concerning this quotation, contact [sales@redvestsupply.com](mailto:sales@redvestsupply.com)



## CERTIFICATE OF LIABILITY INSURANCE

DATE (MM/DD/YYYY)

04-08-2024

**THIS CERTIFICATE IS ISSUED AS A MATTER OF INFORMATION ONLY AND CONFERS NO RIGHTS UPON THE CERTIFICATE HOLDER. THIS CERTIFICATE DOES NOT AFFIRMATIVELY OR NEGATIVELY AMEND, EXTEND OR ALTER THE COVERAGE AFFORDED BY THE POLICIES BELOW. THIS CERTIFICATE OF INSURANCE DOES NOT CONSTITUTE A CONTRACT BETWEEN THE ISSUING INSURER(S), AUTHORIZED REPRESENTATIVE OR PRODUCER, AND THE CERTIFICATE HOLDER.**

**IMPORTANT: If the certificate holder is an ADDITIONAL INSURED, the policy(ies) must have ADDITIONAL INSURED provisions or be endorsed. If SUBROGATION IS WAIVED, subject to the terms and conditions of the policy, certain policies may require an endorsement. A statement on this certificate does not confer rights to the certificate holder in lieu of such endorsement(s).**

|   |  |                                      |               |   |       |             |  |             |  |             |  |             |  |             |  |
|---|--|--------------------------------------|---------------|---|-------|-------------|--|-------------|--|-------------|--|-------------|--|-------------|--|
| <b>PRODUCER</b><br>Coverdash<br>213 W 35th St #303<br><br>New York NY 10001               | <b>CONTACT NAME:</b> Coverdash Service<br><b>PHONE (A/C, No, Ext):</b> 888-880-3274 <b>FAX (A/C, No):</b><br><b>E-MAIL ADDRESS:</b> mark.walters@coverdash.com<br><table style="width: 100%; border: none;"> <tr> <td style="text-align: center; border: none;"><b>INSURER(S) AFFORDING COVERAGE</b></td> <td style="text-align: center; border: none;"><b>NAIC #</b></td> </tr> <tr> <td style="border: none;">INSURER A : The Standard Fire Insurance Company</td> <td style="border: none;">19070</td> </tr> <tr> <td style="border: none;">INSURER B :</td> <td style="border: none;"></td> </tr> <tr> <td style="border: none;">INSURER C :</td> <td style="border: none;"></td> </tr> <tr> <td style="border: none;">INSURER D :</td> <td style="border: none;"></td> </tr> <tr> <td style="border: none;">INSURER E :</td> <td style="border: none;"></td> </tr> <tr> <td style="border: none;">INSURER F :</td> <td style="border: none;"></td> </tr> </table> | <b>INSURER(S) AFFORDING COVERAGE</b> | <b>NAIC #</b> | INSURER A : The Standard Fire Insurance Company | 19070 | INSURER B : |  | INSURER C : |  | INSURER D : |  | INSURER E : |  | INSURER F : |  |
| <b>INSURER(S) AFFORDING COVERAGE</b>  | <b>NAIC #</b>  |                                      |               |   |       |             |  |             |  |             |  |             |  |             |  |
| INSURER A : The Standard Fire Insurance Company   | 19070  |                                      |               |   |       |             |  |             |  |             |  |             |  |             |  |
| INSURER B :   |  |                                      |               |   |       |             |  |             |  |             |  |             |  |             |  |
| INSURER C :   |  |                                      |               |   |       |             |  |             |  |             |  |             |  |             |  |
| INSURER D :   |  |                                      |               |   |       |             |  |             |  |             |  |             |  |             |  |
| INSURER E :   |  |                                      |               |   |       |             |  |             |  |             |  |             |  |             |  |
| INSURER F :   |  |                                      |               |   |       |             |  |             |  |             |  |             |  |             |  |
| <b>INSURED</b><br>Red Vest Supply, LLC<br>604 Jett Street<br><br>West Portsmouth OH 45663 |  |                                      |               |   |       |             |  |             |  |             |  |             |  |             |  |

**COVERAGES**

**CERTIFICATE NUMBER:**

**REVISION NUMBER:**

THIS IS TO CERTIFY THAT THE POLICIES OF INSURANCE LISTED BELOW HAVE BEEN ISSUED TO THE INSURED NAMED ABOVE FOR THE POLICY PERIOD INDICATED. NOTWITHSTANDING ANY REQUIREMENT, TERM OR CONDITION OF ANY CONTRACT OR OTHER DOCUMENT WITH RESPECT TO WHICH THIS CERTIFICATE MAY BE ISSUED OR MAY PERTAIN, THE INSURANCE AFFORDED BY THE POLICIES DESCRIBED HEREIN IS SUBJECT TO ALL THE TERMS, EXCLUSIONS AND CONDITIONS OF SUCH POLICIES. LIMITS SHOWN MAY HAVE BEEN REDUCED BY PAID CLAIMS.

| INSR LTR | TYPE OF INSURANCE  | ADDL INSD | SUBR WVD | POLICY NUMBER | POLICY EFF (MM/DD/YYYY) | POLICY EXP (MM/DD/YYYY) | LIMITS  |
|----------|--|-----------|----------|---------------|-------------------------|-------------------------|---|
| A        | <input checked="" type="checkbox"/> <b>COMMERCIAL GENERAL LIABILITY</b><br><input type="checkbox"/> CLAIMS-MADE <input checked="" type="checkbox"/> OCCUR<br><br>GEN'L AGGREGATE LIMIT APPLIES PER:<br><input checked="" type="checkbox"/> POLICY <input type="checkbox"/> PRO-JECT <input type="checkbox"/> LOC<br>OTHER: | Y         | Y        | 002Y472318    | 04-08-2024              | 04-08-2025              | EACH OCCURRENCE      \$ 1,000,000   |
|          | DAMAGE TO RENTED PREMISES (Ea occurrence)      \$ 300,000  |           |          |               |                         |                         |   |
|          | MED EXP (Any one person)      \$ 5,000   |           |          |               |                         |                         |   |
|          | <b>AUTOMOBILE LIABILITY</b><br><input type="checkbox"/> ANY AUTO<br><input type="checkbox"/> OWNED AUTOS ONLY <input type="checkbox"/> SCHEDULED AUTOS<br><input type="checkbox"/> HIRED AUTOS ONLY <input type="checkbox"/> NON-OWNED AUTOS ONLY  |           |          |               |                         |                         | COMBINED SINGLE LIMIT (Ea accident)      \$<br>BODILY INJURY (Per person)      \$<br>BODILY INJURY (Per accident)      \$<br>PROPERTY DAMAGE (Per accident)      \$             |
|          | <b>UMBRELLA LIAB</b> <input type="checkbox"/> OCCUR<br><b>EXCESS LIAB</b> <input type="checkbox"/> CLAIMS-MADE<br><br>DED      RETENTION \$  |           |          |               |                         |                         | EACH OCCURRENCE      \$<br>AGGREGATE      \$  |
|          | <b>WORKERS COMPENSATION AND EMPLOYERS' LIABILITY</b><br>ANY PROPRIETOR/PARTNER/EXECUTIVE OFFICER/MEMBER EXCLUDED? (Mandatory in NH)<br>If yes, describe under DESCRIPTION OF OPERATIONS below  | Y/N       |          |               |                         |                         | <input type="checkbox"/> PER STATUTE <input type="checkbox"/> OTH-ER<br>E.L. EACH ACCIDENT      \$<br>E.L. DISEASE - EA EMPLOYEE      \$<br>E.L. DISEASE - POLICY LIMIT      \$ |

DESCRIPTION OF OPERATIONS / LOCATIONS / VEHICLES (ACORD 101, Additional Remarks Schedule, may be attached if more space is required)

**CERTIFICATE HOLDER**

**CANCELLATION**

|               |  |
|---------------|--|
| Insured's Use | SHOULD ANY OF THE ABOVE DESCRIBED POLICIES BE CANCELLED BEFORE THE EXPIRATION DATE THEREOF, NOTICE WILL BE DELIVERED IN ACCORDANCE WITH THE POLICY PROVISIONS.<br><br>AUTHORIZED REPRESENTATIVE<br><br><i>Coverdash Insurance Services LLC</i> |
|---------------|--|

© 1988-2015 ACORD CORPORATION. All rights reserved.

# Genie® GS™ -1930 & GS-1932

## Specifications

| Models  | GS-1930      |         | GS-1932    |         |
|---|--------------|---------|------------|---------|
| Measurements  | US           | Metric  | US         | Metric  |
| Working height max. - indoor <sup>(1)</sup>                   | 25 ft 3 in   | 7.85 m  | 25 ft 3 in | 7.85 m  |
| Working height max. - outdoor <sup>(1)</sup>                  | 20 ft 8 in   | 6.47 m  | 20 ft 8 in | 6.47 m  |
| <b>A</b> Platform height max. - indoor                        | 19 ft 3 in   | 5.85 m  | 19 ft 3 in | 5.85 m  |
| <b>A</b> Platform height max. - outdoor                       | 14 ft 8 in   | 4.47 m  | 14 ft 8 in | 4.47 m  |
| <b>B</b> Platform height - stowed                             | 3 ft 5 in    | 1.04 m  | 3 ft 5 in  | 1.04 m  |
| <b>C</b> Platform length - outside                            | 5 ft 5 in    | 1.64 m  | 5 ft 5 in  | 1.66 m  |
| <b>C</b> Platform length - outside, extended                  | 8 ft 5 in    | 2.55 m  | 8 ft 5 in  | 2.55 m  |
| Slide-out platform extension deck - length                    | 2 ft 11.8 in | 0.91 m  | 3 ft       | 0.91 m  |
| <b>D</b> Platform width - outside                             | 2 ft 5.9 in  | 0.76 m  | 29.9 in    | 0.76 m  |
| Guardrail height  | 3 ft 7 in    | 1.10 m  | 3 ft 7 in  | 1.10 m  |
| Toeboard height   | 6 in         | 15 cm   | 6 in       | 15 cm   |
| <b>E</b> Machine Height - stowed (folding rails)              | 7 ft 1 in    | 2.16 m  | 7 ft 1 in  | 2.16 m  |
| Machine Height - stowed (rails lowered)                       | 5 ft 11 in   | 1.80 m  | 5 ft 11 in | 1.80 m  |
| <b>F</b> Length machine - stowed                              | 6 ft         | 1.83 m  | 6 ft       | 1.83 m  |
| <b>F</b> Length machine - stowed, extended                    | 8 ft 11 in   | 2.73 m  | 8 ft 11 in | 2.72 m  |
| <b>G</b> Width  | 2 ft 6.2 in  | 0.77 m  | 32.2 in    | 0.82 m  |
| <b>H</b> Wheelbase  | 4 ft 4 in    | 1.32 m  | 4 ft 4 in  | 1.32 m  |
| <b>I</b> Ground clearance (center) - pothole guards retracted | 3.2 in       | 8 cm    | 3.2 in     | 8 cm    |
| <b>I</b> Ground clearance - pothole guards deployed           | 0.9 in       | 2.30 cm | 0.9 in     | 2.30 cm |

### Productivity

|   |             |          |             |              |
|---|-------------|----------|-------------|--------------|
| Max. platform occupancy (in/out)                    | 2/1         |          | 2/1         |              |
| Lift capacity                                       | 500 lb      | 227 kg   | 500 lb      | 227 kg       |
| Lift capacity - extension deck extended             | 250 lb      | 113 kg   | 250 lb      | 113 kg       |
| Max. platform drive height                          | 19 ft 3 in  | 5.85 m   | 19 ft 3 in  | 5.85 m       |
| Drive speed - stowed                                | 2.5 mph     | 4.0 km/h | 2.5 mph     | 4.0 km/h     |
| Drive speed - raised                                | 0.5 mph     | 0.8 km/h | 0.5 mph     | 0.8 km/h     |
| Gradeability - stowed <sup>(2)</sup>                | 25%         |          | 25%         |              |
| Turning radius - inside/outside                     | 0/5 ft 1 in | 0/1.55 m | 0/5 ft 1 in | 0/1.55 m     |
| Lifting speed - raise/lower                         | 26/22 sec   |          | 26/22 sec   |              |
| Tilt sensor activation (front to back/side to side) | 3°/1.5°     |          | 3°/1.5°     |              |
| Tires - solid non-marking                           | 12×4.5 in   | 31×11 cm | 12×4.5 in   | 30.5×11.5 cm |

### Power

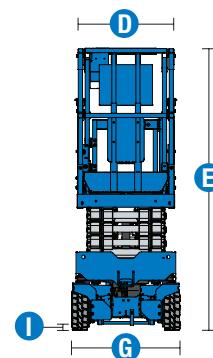
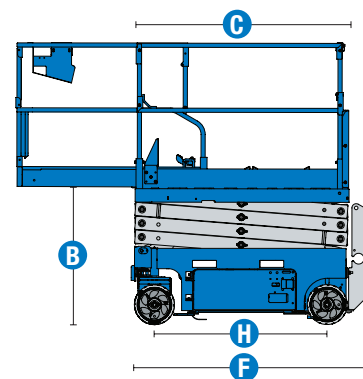
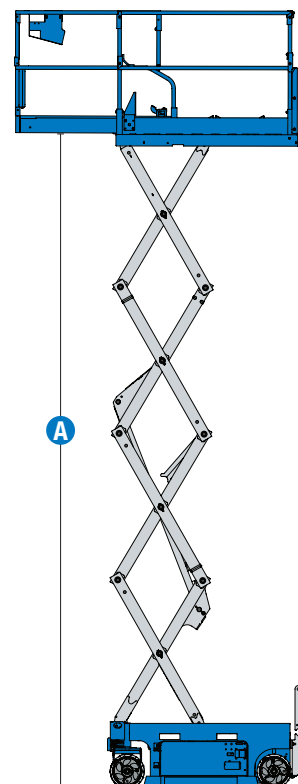
|                                   |                     |                     |
|-----------------------------------|---------------------|---------------------|
| Power - FLA                       | 24V DC (4×6V 210Ah) | 24V DC (4×6V 210Ah) |
| Power - Lithium-Ion               | 24V DC (1×24V 90Ah) | 24V DC (1×24V 90Ah) |
| Hydraulic tank capacity (E-Drive) | 1 gal               | 3.8L                |

### Weight<sup>(3)</sup> and Floor Loading<sup>(4)</sup>

|   |          |           |          |           |
|---|----------|-----------|----------|-----------|
| Weight                                    | 3,209 lb | 1,456 kg  | 2,929 lb | 1,329 kg  |
| Weight max. (adding all possible options) | 3,354 lb | 1,521 kg  | 3,205 lb | 1,454 kg  |
| Tire load max.                            | 1,483 lb | 672 kg    | 1,473 lb | 668 kg    |
| Tire contact pressure                     | 165 psi  | 1,136 kPa | 164 psi  | 1,128 kPa |
| Occupied floor pressure                   | 287 psf  | 13.73 kPa | 258 psf  | 12.38 kPa |

### Sound and Vibration Levels

|   |                            |                        |
|---|----------------------------|------------------------|
| Sound Pressure level (ground workstation)   | < 70 dBA                   | < 70 dBA               |
| Sound Pressure level (platform workstation) | < 70 dBA                   | < 70 dBA               |
| Vibrations                                  | < 8 ft 2 in/s <sup>2</sup> | < 2.5 m/s <sup>2</sup> |



(1) The metric equivalent of working height adds 2m to platform height. US adds 6ft to platform height.

(2) Gradeability applies to driving on slopes and may vary depending on options and machine configurations. See operator's manual for details regarding slope ratings.

(3) Weight refers to standard configuration and may vary depending on options and/or country standards.

(4) Floor loading information is approximate and may vary depending on options and machine configurations. It should be used only with adequate safety factors.

# Genie® GS™ -1930 & GS-1932

**SKU: Standard Model**

- GS-1930, E-Drive\*

\* Build to Order

**SKU: Standard Model**

- GS1932E1AE0002:** GS-1932, E-Drive

| Option availability  |  | S                       | S+ | BtO |
|--|--|-------------------------|----|-----|
| Power  | Standard FLA flooded lead acid batteries       | ✓                       | ✓  | ✓   |
|  | AGM Maintenance-free batteries                 |                         | ○  | ○   |
|  | Lithium-Ion battery                            |                         |    | ○   |
|  | Drive cut-out while charging                   |                         | ○  | ○   |
|  | Power Inverter                                 |                         | ○  | ○   |
|  | Rear recessed charger receptacle               | ✓                       | ✓  | ✓   |
| Platform   | Xtra Height (XH) Full Height Outdoor (GS-1932) | ✓                       | ✓  | ✓   |
|  | Folding rails, Half-height swing gate          | ✓                       | ✓  | ✓   |
|  | Slide out extension deck                       | ✓                       | ✓  | ✓   |
|  | Air line to platform                           |                         |    | ○   |
|  | Automotive-style horn                          |                         | ○  | ○   |
|  | AC power to platform                           | ✓                       | ✓  | ✓   |
|  | Descent, tilt and motion alarm                 | ✓                       | ✓  | ✓   |
|  | Diamond plate platform deck                    | ✓                       | ✓  | ✓   |
|  | Dual LED flashing beacons                      | ✓                       | ✓  | ✓   |
|  | Electric horn                                  | ✓                       | ✓  | ✓   |
|  | Lanyard attachment points                      | ✓                       | ✓  | ✓   |
|  | Platform control guard (PCON)                  | ✓                       | ✓  | ✓   |
|  | Platform load sense system                     | ✓                       | ✓  | ✓   |
|  | Proportional drive and lift                    | ✓                       | ✓  | ✓   |
|  | SmartLink dual zone control system             | ✓                       | ✓  | ✓   |
|  | Chassis  | Lift Connect Telematics |    | ○   |
| Lift Connect with Access Manager upgrade                   |  |                         | ○  | ○   |
| Biodegradable hydraulic oil                                |  |                         |    | ○   |
| EE Certification (Hydraulic drive)                         |  |                         |    | ○   |
| Lift Guard White Noise Alarm                               |  |                         | ○  | ○   |
| Lift Tools Spill Guard (E-Drive)                           |  |                         |    | ○   |
| Auxiliary platform lowering                                |  | ✓                       | ✓  | ✓   |
| Driveable at full height                                   |  | ✓                       | ✓  | ✓   |
| Dual front wheel sealed AC electric drive motors (E-Drive) |  | ✓                       | ✓  | ✓   |
| Electric brake release (E-Drive)                           |  | ✓                       | ✓  | ✓   |
| On board diagnostic system with battery charge indicator   |  | ✓                       | ✓  | ✓   |
| Pothole protection   |  | ✓                       | ✓  | ✓   |
| Side and rear fork pockets                                 |  | ✓                       | ✓  | ✓   |
| Solid non-marking tires                                    | ✓  | ✓                       | ✓  |     |
| Tech Pro Link connector                                    | ✓  | ✓                       | ✓  |     |
| Tie-down and lifting points                                | ✓  | ✓                       | ✓  |     |

- S Standard
- S+ Standard +
- BtO Build to Order
- ✓ Standard Features
- Options



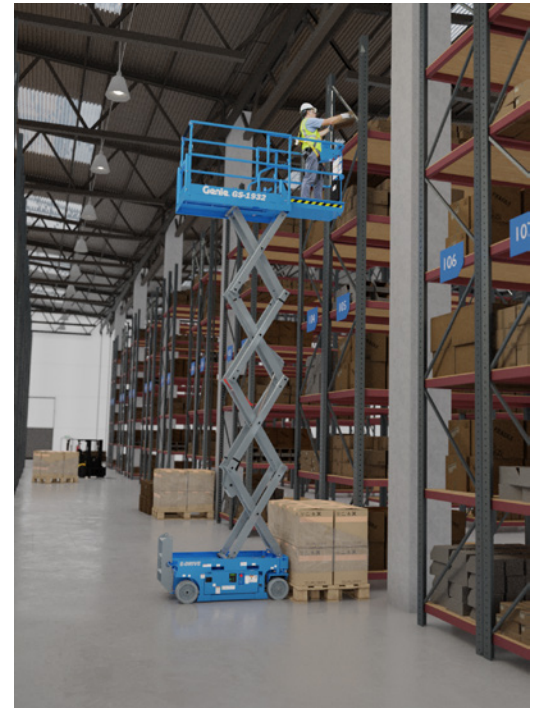
Indoor & Outdoor Use



Side Forklift Pockets



Optional E-Drive



Genie Genuine Accessories<sup>(1)</sup>

- Lift Tools Productivity Tools
- Lift Connect Telematics
- Tech Pro Link Handheld Device

(1) More accessories available from Genie Genuine Parts.

Product specifications are subject to change without notice or obligation. Photographs and/or drawings herein are for illustrative purposes only. Refer to the appropriate Operator's Manual for instructions on proper equipment use. Failure to follow instructions in the Operator's Manual may result in serious injury or death. The only warranty applicable to our equipment is the standard written warranty applicable to the particular product and sale and we make no other warranty, express or implied. Products and services listed may be trademarks, service marks or trade names of Terex Corporation and/or their subsidiaries in the USA and many other countries. Terex, Genie, Quality By Design, Xtra Capacity, Lift Power, Lift Guard, Lift Tools, Lift Connect and Tech Pro Link are registered trademarks of Terex Corporation or its subsidiaries.